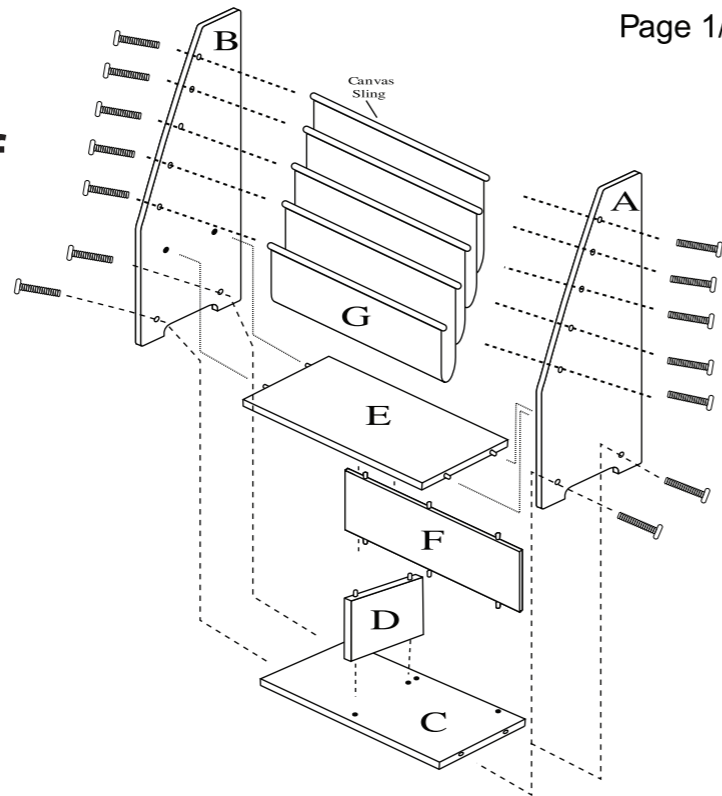
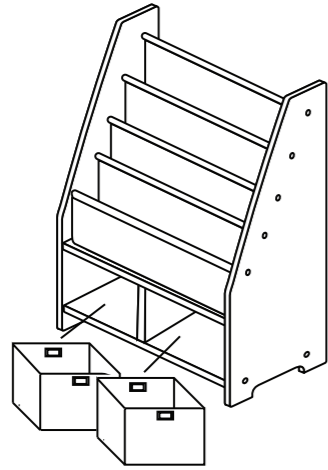
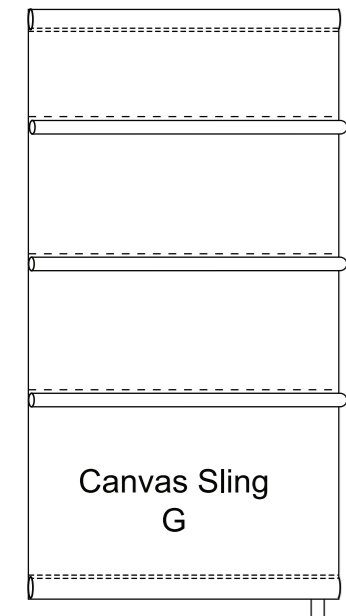
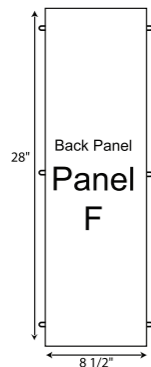
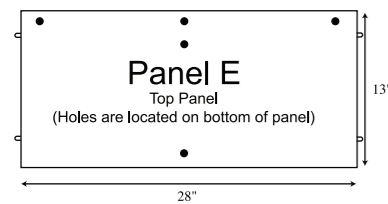


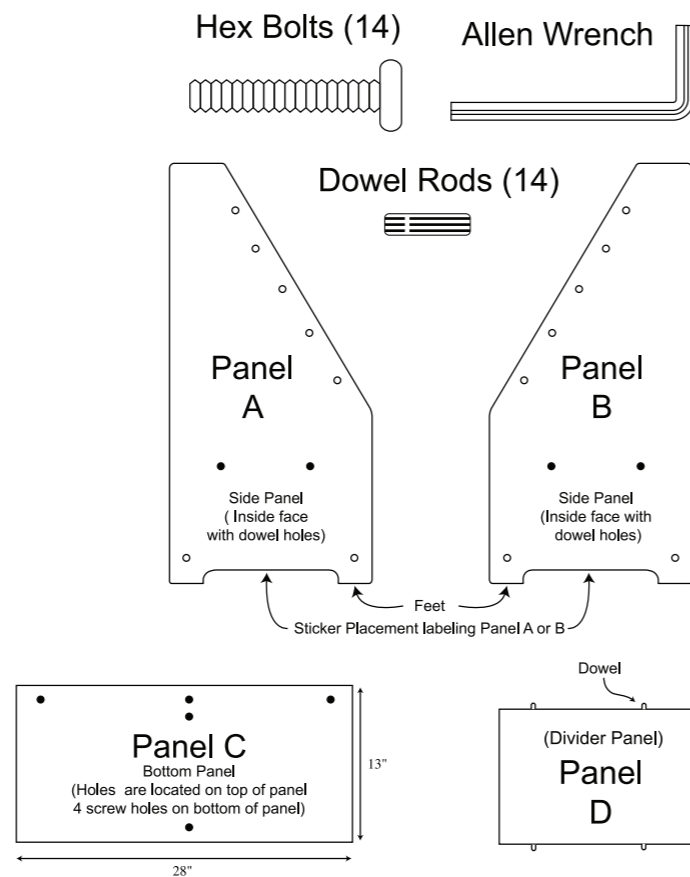
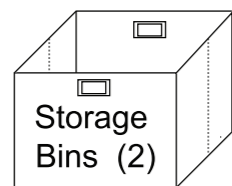
Little Bookworm Sling Bookshelf



- Parts Included:**
 14 Hex Bolts
 14 Dowel Rods
 6 Panels (A-F)
 1 Canvas Sling
 5 Wooden Rods
 1 Allen Wrench
 2 Storage bins with removable bases



Wooden Rods (5)



WARNING: CHOKING HAZARD
 Unassembled parts may be a choking hazard to children 3 years and younger.

MADE IN CHINA

CAUTION:
 Adult assembly required. Hardware contains small screws with sharp points. Keep unassembled parts out of the reach of small children. Parts of product can present dangers if it is not correctly assembled.

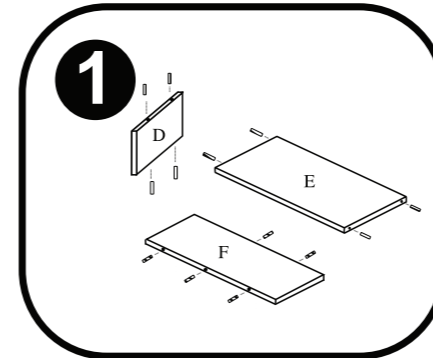
Care Instructions: Surface wash only with a clean, damp cloth. Do not immerse in water. No bleach.

Use and Maintenance:
 Use on level surface only. Please check assembly at regular intervals, and periodically tighten hardware if necessary. If maintenance is not carried out the product could overturn or fall.

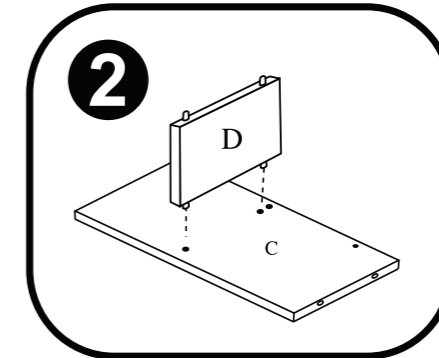
Assembly Instructions:

Before You Start:

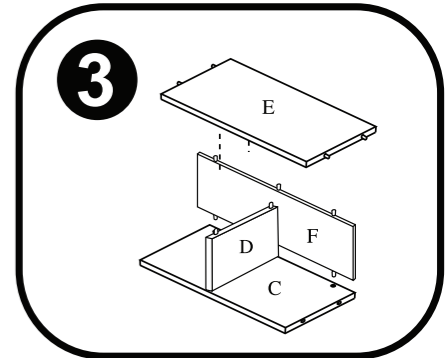
Make sure that you have a comfortable space with adequate area to work. A padded environment is helpful to work (ex. carpeted room) to help reduce scratches on wood. Keep in mind that having a person assist you is helpful. Check to make sure that all contents are accounted for. Verify panels through measurements (width and length).



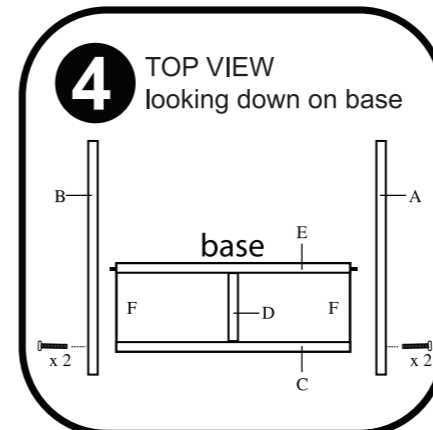
Insert all dowel rods into holes on the edges of panels D,E,F



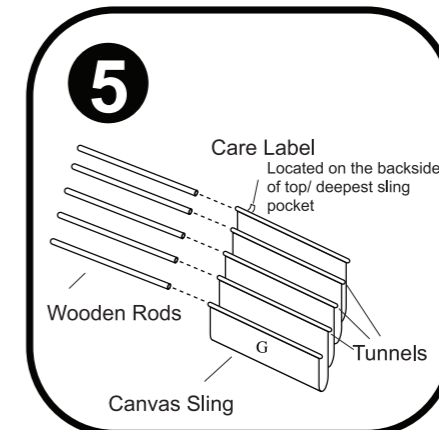
Take panel C (bottom base) face up and place the dowels of panel D into the center dowel holes on the face of panel C.



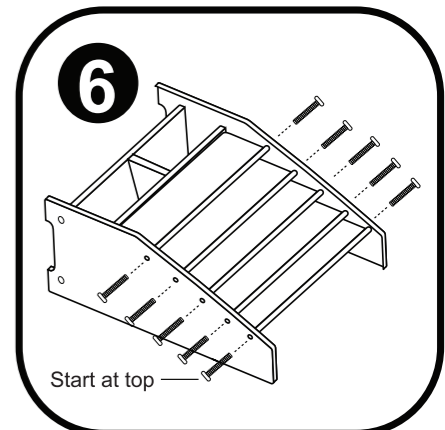
Take panel F, insert the dowels of panel F into the dowel holes of Panel C. Take Panel E, insert the dowels of panels D and F into the dowel holes of panel E to form "base." Lay base down on the back side of Panel F.



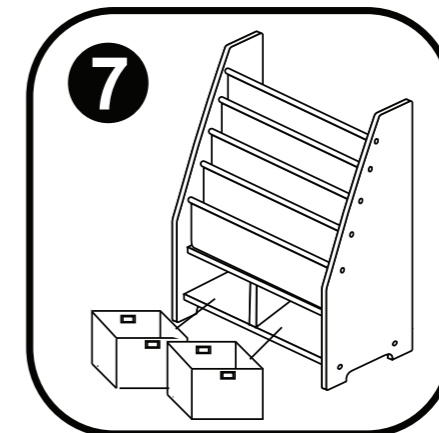
Align dowel holes of panel A to dowels of panel E. Finger tighten bolts into bottom holes of panel A, securing panel A to base. Align dowel holes of panel B to dowels of panel E. Finger tighten bolts into bottom holes of panel B, securing panel B to base.



Lay canvas sling (G) flat on floor with tunnels facing up. Insert all wooden rods into canvas tunnels.



Bookshelf (minus slings) is now assembled on its back. With sling in hands, face tunnels towards you. Starting with the deepest sling pocket on top (care label is facing the floor on the backside of the top/deepest sling pocket), finger tighten hex bolts into each end of rods aligning top rod with top holes of panels A and B, continue down.



Tighten all hex bolts securely with allen wrench. Lift bookshelf up, so it is resting on its four feet. Insert removable bases into storage bins. Place bins into unit. Fill slings and bins and enjoy!