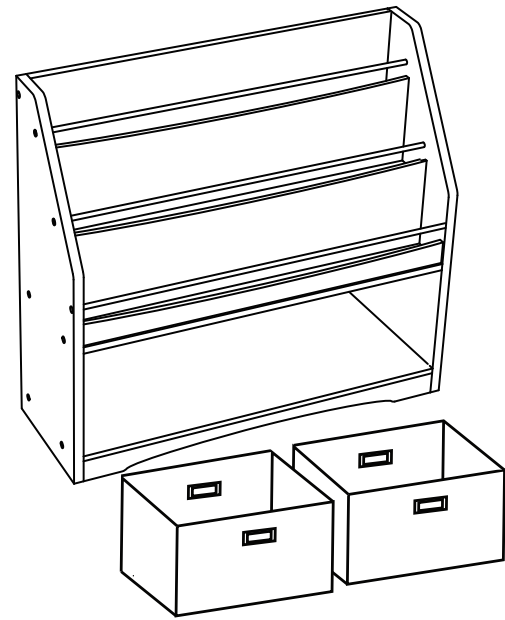


Little Bookworm Storytime Bookshelf

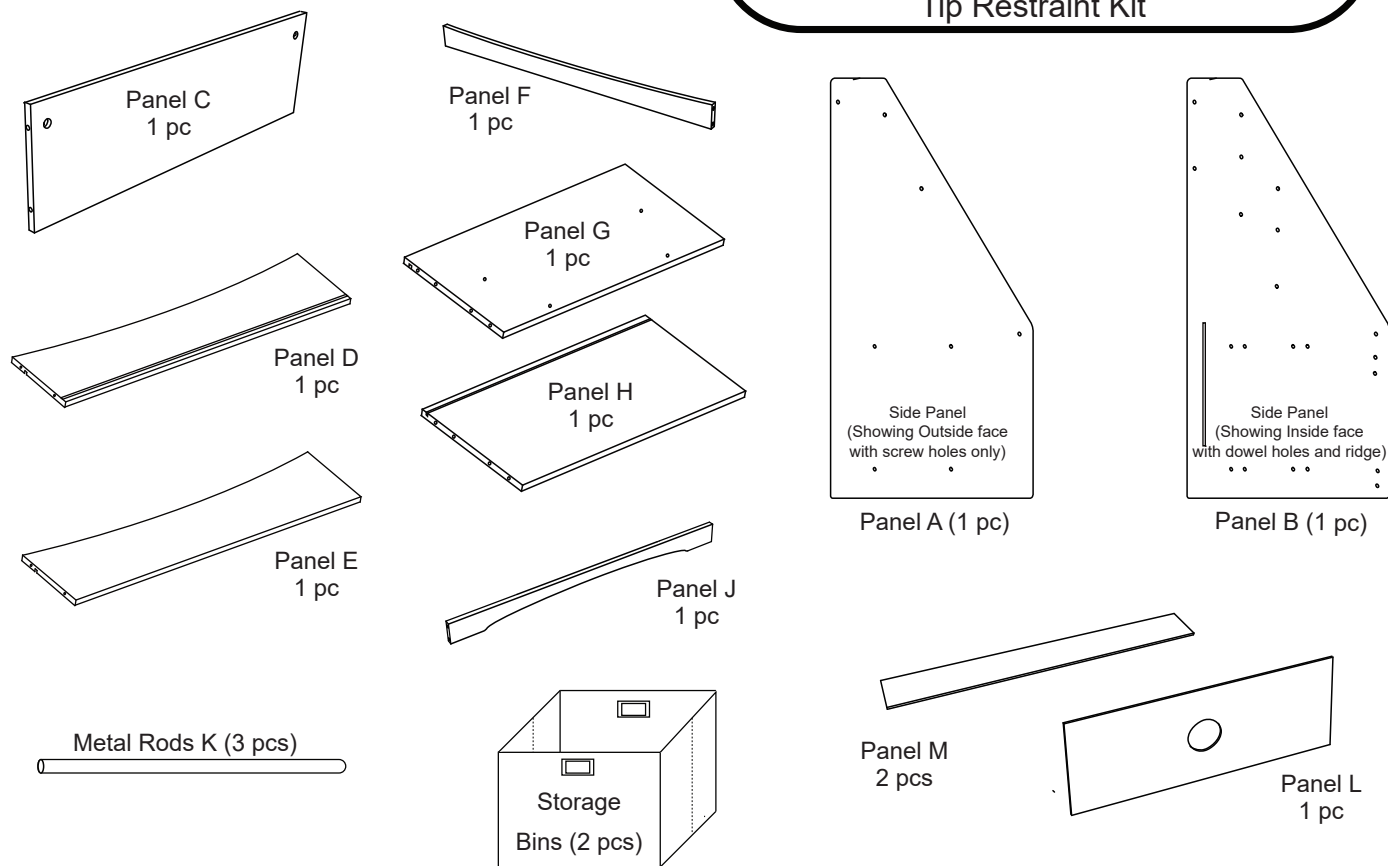
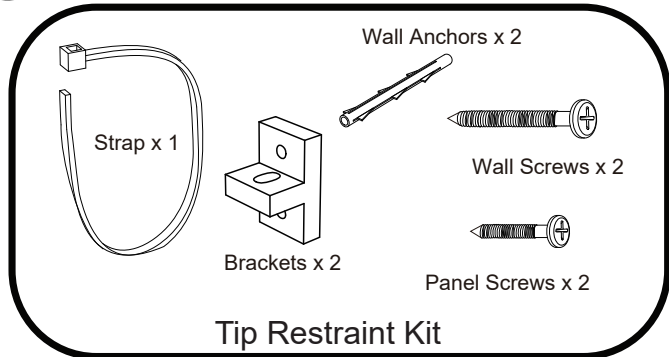


Parts Included:

- 10 Long Bolts
- 10 Nuts
- 6 Short Bolts
- 1 Tip Restraint Kit
- 32 Dowel
- 12 Panels (detailed below)
- 3 Metal Rods
- 2 Storage bins with removable bases

Tools recommended but not included:
Hammer
Screwdriver

- Nuts (10) Long Bolts (10) Short Bolts (6) Dowel (32)



Care Instructions: Surface wash only with a clean, damp cloth. Do not immerse in water. No bleach.

Use and Maintenance:
Use on level surface only. Please check assembly at regular intervals, and periodically tighten hardware if necessary. If maintenance is not carried out the product could overturn or fall.

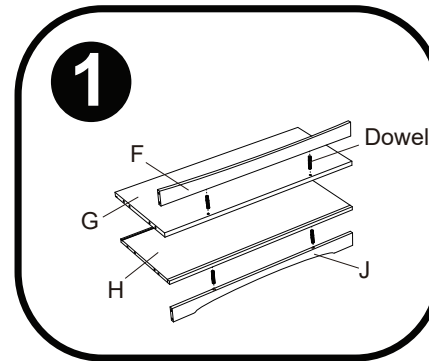
WARNING: CHOKING HAZARD
Unassembled parts may be a choking hazard to children 3 years and younger.

CAUTION
Adult assembly required. Hardware contains small screws with sharp points. Keep unassembled parts out of the reach of small children. Parts of product can present dangers if it is not correctly assembled.

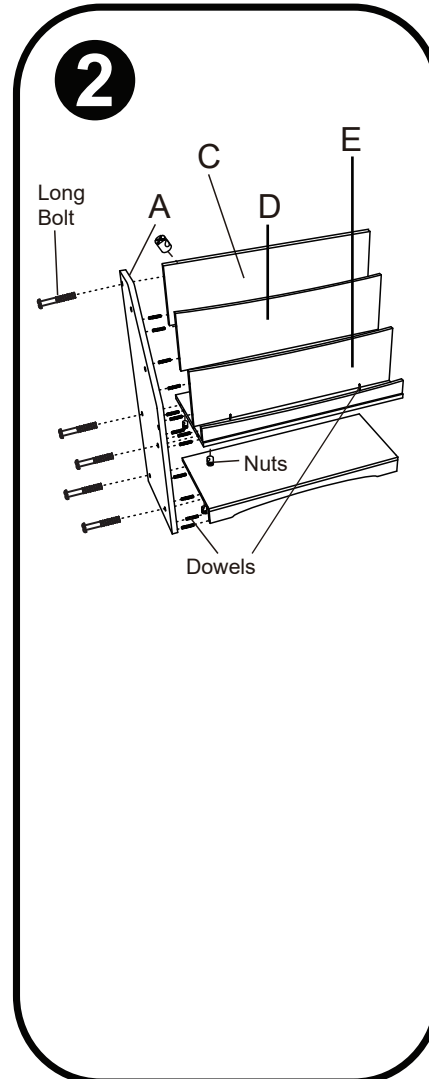
Assembly Instructions:

Before You Start:

Make sure that you have a comfortable space with adequate area to work. A padded environment is helpful (ex. carpeted room) to help reduce scratches on wood. Keep in mind that having a person assist you is helpful. Check to make sure that all contents are accounted for.



Insert Dowels into the holes of panels H and G as shown in diagram. Connect panel F to G and panel J to H by aligning the Dowels with the dowel holes.



2A.
- Insert Dowels into the holes on the side edges of panels F, G, H, J, and E.
- Insert Dowels into the bottom edge of Panel E.
* For easier assembly, please ask another adult to assist with the remaining steps.

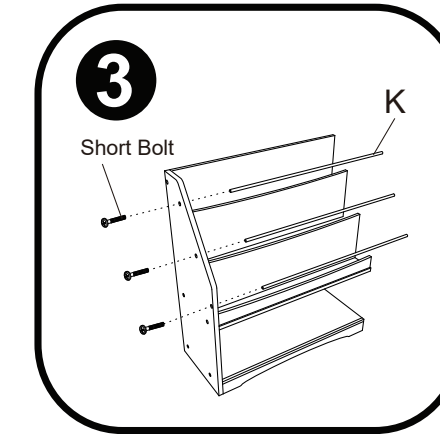
2B.
- Align the Dowels on the bottom edge of Panel E with the dowel holes of Panel G creating a perpendicular connection. The ridge of panel E must face the BACK of the bookshelf and the curved edge must face the top of the bookshelf. Ask assistant to hold panel E straight to reduce the stress on the connection.

2C.
- Insert 4 Nuts into the bottom of panel H and 4 Nuts into the bottom of panel G.
- Stand Panel A on its longest edge. Your assistant will hold panel A in position and make sure panel E is straight reducing stress on the connection. Align the side edges of panel E, F and G with the bolt & dowel holes at the center of panel A. Use 2 Long Bolts to secure the connection of panel A to panel G.

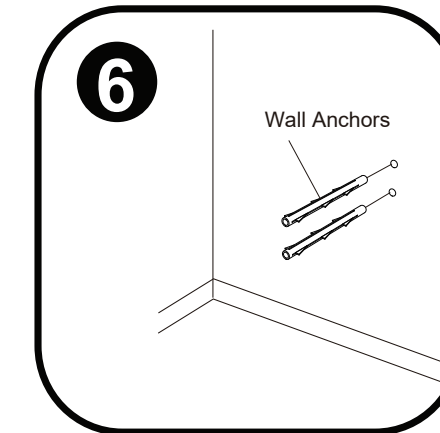
- Repeat step above to connect panel H and J to panel A, only this time you will be aligning the edges of panel H and J with the bolt & dowel holes at the bottom of panel A. Do not forget to use 2 Long Bolts to secure the connection of panel H to panel A.

2E.
- Insert 2 Dowels on each edge of panel D.
- Insert 1 Dowel into each edge of panel C (Note: Do not confuse dowel hole with bolt hole)
- Insert 2 Nuts into the back of panel C
- Lay panel C on the ground & align the edge of panel C with the bolt & dowel hole on panel A (the holes closest to the floor). Make sure the ridge on panel C is facing the front of the bookshelf. Using 1 Long Bolt, secure panel C to panel A.

2F.
- At this time you will only have 2 open dowel holes at the center of panel A. With the help of your assistant attach panel D to panel A by aligning the dowels on panel D to the dowel holes of A. Panel D has ridges on both sides. The side with the ridge closest to the curved edge must face the BACK of the bookshelf. The curved edge must face the top of the bookshelf.
- The person assisting will hold panel D and panel E straight to reduce the stress on the connection to panel A.

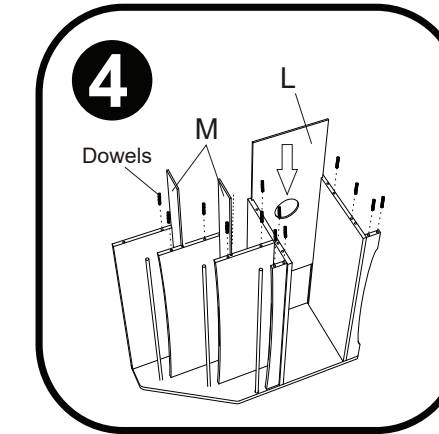


Still using your assistant to hold panel D and E straight, use the Short Bolts to attach each of the 3 Metal Rods into panel A. Have your assistant hold the Metal Rods straight to reduce the stress on the connection to panel A.

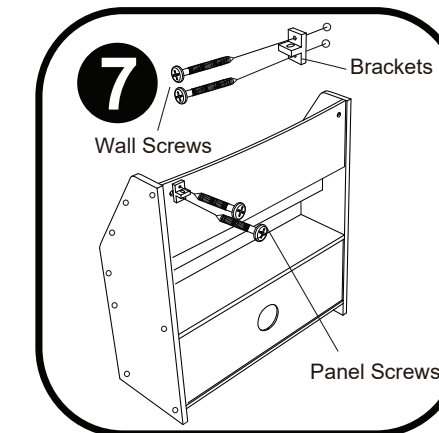


Install the wall anchors into the wall using the bracket as a template to mark the holes. The bracket should be approximately 30" up from the floor, and directly behind the back panel bracket on the bookshelf. This is determine by how you wish to position the bookshelf.

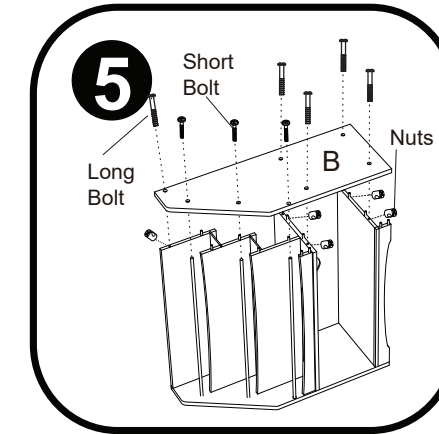
If you are attaching to drywall, it is recommended to install the wall bracket onto a stud for a more secure anchorage. A stud finder will be helpful in this situation.



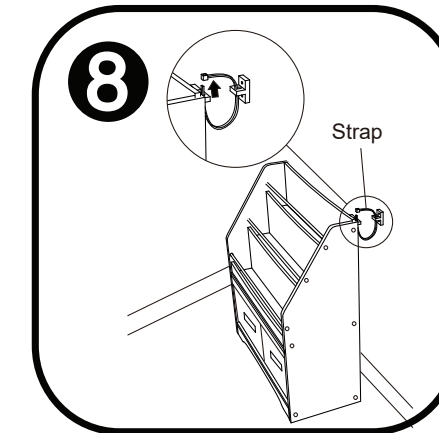
With the help of your assistant, carefully lay panel A with its flattest side to the floor. Insert panels M and panel L into their appropriate ridges (reference the diagram above). Make sure your Dowels & Nuts on all exposed edge and panels are still in position.



Install one bracket onto the wall using the wall screws. Install the other bracket onto the back of Panel C where the pilot holes are.



Secure panel B to the rest of the unit by using 3 Short Bolts for the Metal Rod connections and 5 Long Bolts for the remaining connections.



Move the bookshelf into position and then connect the wall bracket with the back panel bracket using the strap.

Insert removable bases into storage bins. Place bins into unit. Fill shelves and bins and enjoy!